



## Main Features:-

- ◆ Flanged PN16
- ◆ Plated Steel Flanges
- ◆ Stainless Steel Bellow & Inner Sleeve
- ◆ Rated PN16
- ◆ Temperature -80°C to 427°C

\*Temperature and pressure determined by valve body, seat etc.



## Suitable Applications & Approvals:



## SERIES: 100009

MANUFACTURER:



### Part

### Material

Flanges

Plated Steel

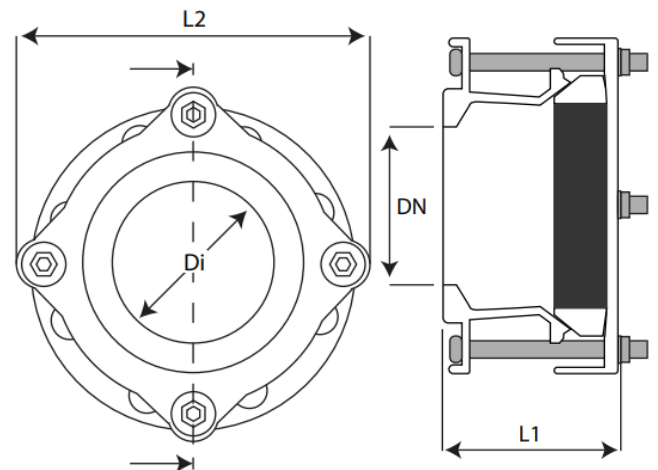
Inner Sleeve

Stainless Steel

Bellow

Stainless Steel

DN	Di Min	Di Max	L1	L2	Kg
2"	60	80	145	190	5.5
2 1/2"	70	90	145	200	6.6
3"	88	113	150	223	7
4"	107	132	125	242	7.2
5"	133	159	14	269	8.3
6"	159	184	175	296	11.7
8"	194	226	158	348	17
8"	216	246	183	368	17.9



VALVE DIMENSIONS

## ALL VALVES ONLINE

Offering a full range of actuated valve packages, manual valve range, pipe fittings and pumps, we have a product for all your requirements. As an ISO 9001-2015 Quality Approved and certified company, All Valves offer a quality service from pre-sale to post sale. Shipping millions of pounds in value of manual valve and actuated valve packages all over the world since its formation, All Valves are a trusted valve and actuator supplier to many companies all over the world. Working with the leading brands in most industries.



T +44 (0)1386 552369

E sales@allvalves.co.uk

W www.allvalves.co.uk

F +44 (0)1386 554227